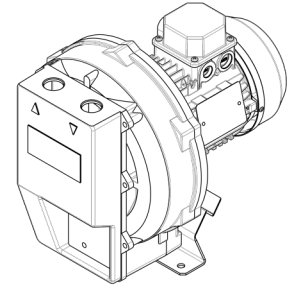


Technical Characteristics	
<ul style="list-style-type: none"> - Aluminum alloy construction - Smooth operation - Maintenance free 	
Electric Motor	
<ul style="list-style-type: none"> - IE3 Wide Range cURus Motors - IP55 protection rating, class F insulation, suitable for operating with inverter - Thermal Protector (PTO) as standard 	
Options	
<ul style="list-style-type: none"> - Special voltages (IEC 60038) - Surface treatments - Increased seal version 	

~3	[V] (Y / Δ)	[Hz]
IE3	400 / 230	50
	460 / 265	60
Wide Range	345 - 415 / 200 - 240	50
	380 - 480 / 220 - 280	60

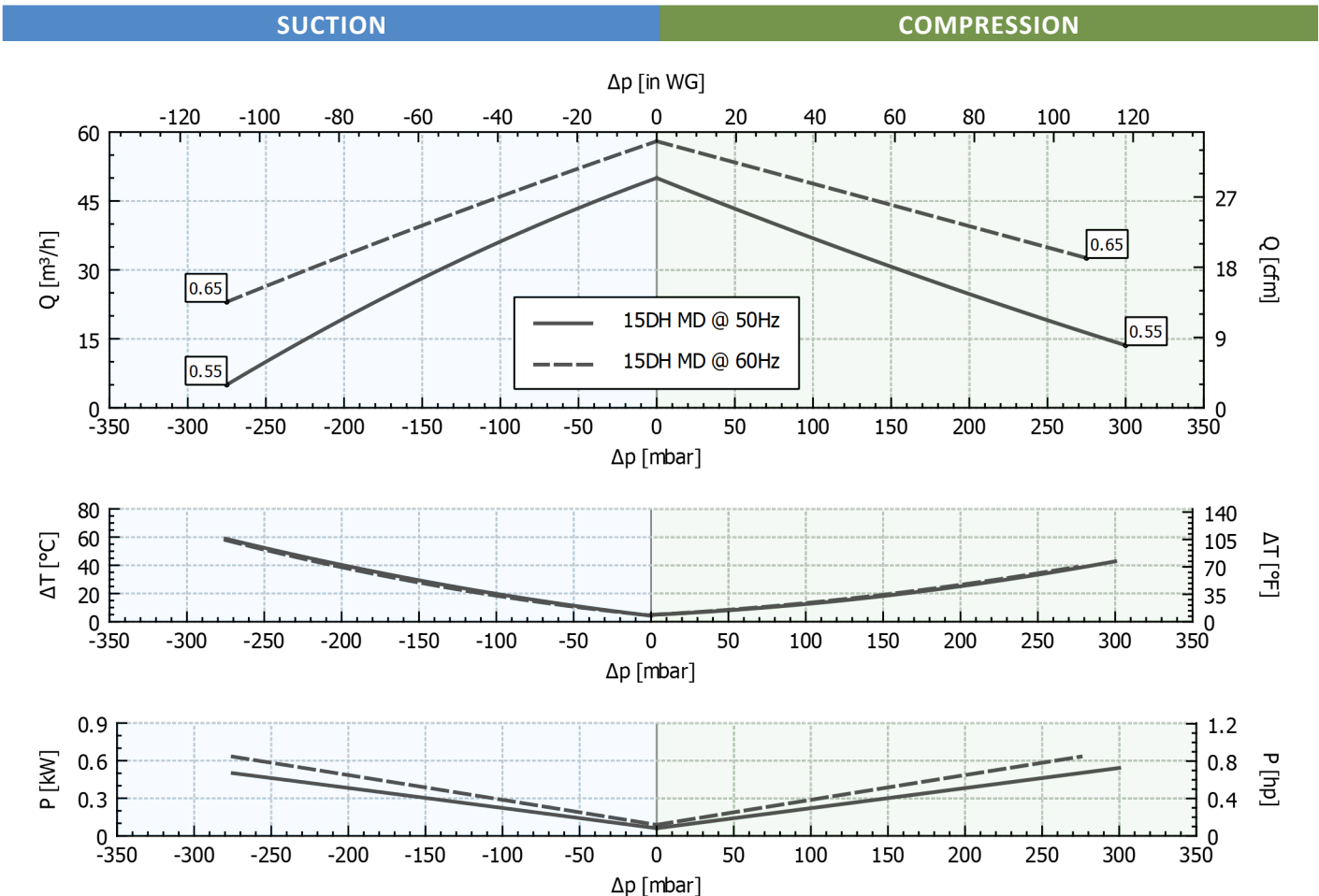
Supply voltage - Tolerance on the fixed voltage value $\pm 10\%$, in range $\pm 5\%$.



Performance Table

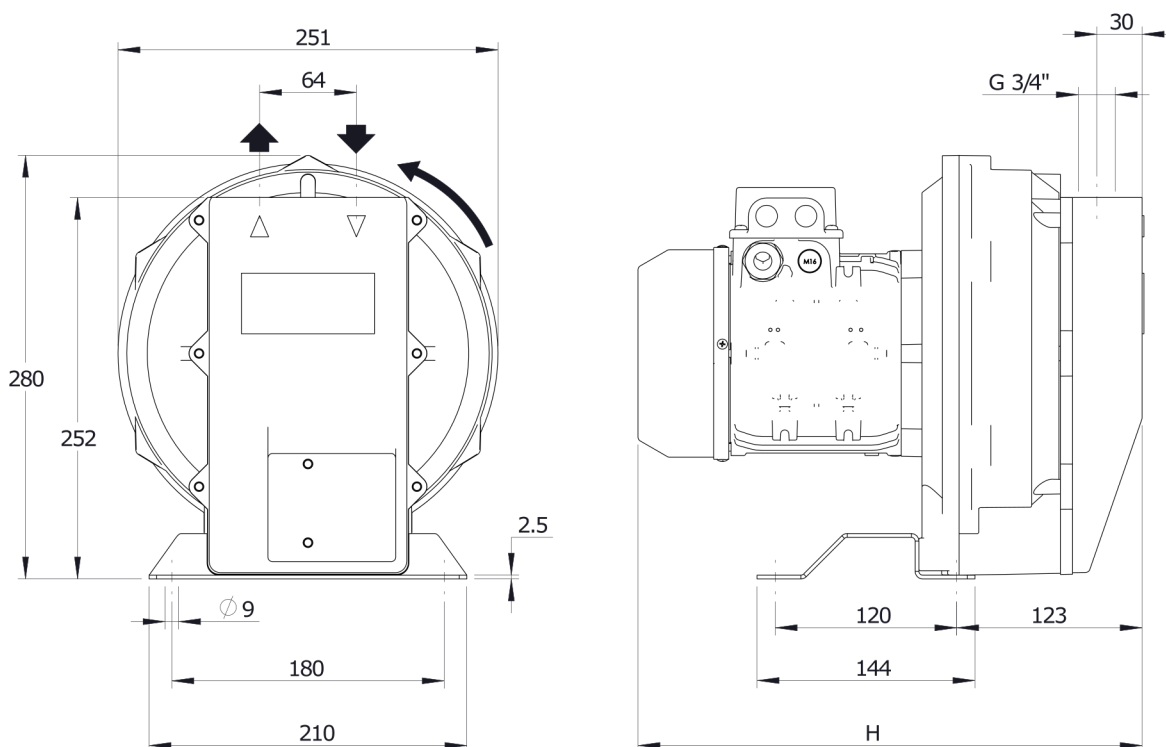
P _n [kW]	Frequency [Hz]	Δp _{max} [mbar]		Q _{max} [m³/h]	Leq ¹ [dB(A)]	Weight [kg]	H ² [mm]	Current Consumption (Y/Δ) [A]		Cosφ [-]	Speed [rpm]
		Suction	Compression					IE3	Range		
0.55	50	275	300	50	62	12.5	335	1.44 / 2.49	1.43-1.50 / 2.48-2.60	0.70	2855
0.65	60	275	275	58	64	12.5	335	1.39 / 2.41	1.47-1.43 / 2.55-2.48	0.73	3450

1. Noise level measured at a distance of 1 m with ducted intake and delivery, in accordance with Standard ISO 3744.
2. See figure "dimensions" at following page.



Tolerance on indicated values $\pm 10\%$.
 Data subject to change without notice.
 Curves referring to air at a temperature of 20 °C and atmospheric pressure of 1013 mbar (abs).

Dimensions



Dimensions in mm
NOT Binding

INSTALLATION

- For proper operation of the machine, it must be provided with a suction FILTER and a vacuum/pressure limiting VALVE.
- Other accessories are available on request.
- Permissible ambient and fluid temperature in suction from -15 °C to +40 °C.
- Read the instruction manual carefully before installing the machine.