

**Technical Characteristics**

- Aluminum alloy construction
- Smooth operation
- Maintenance free

**Electric Motor**

- IE3 Wide Range cURus Motors
- IP 55 protection rating, class F insulation, suitable for operating with inverter (refer to FPZ)
- Thermal Protector (PTO) as standard

**Options**

- Special voltages (IEC 60038)
- Surface treatments
- Increased seal version

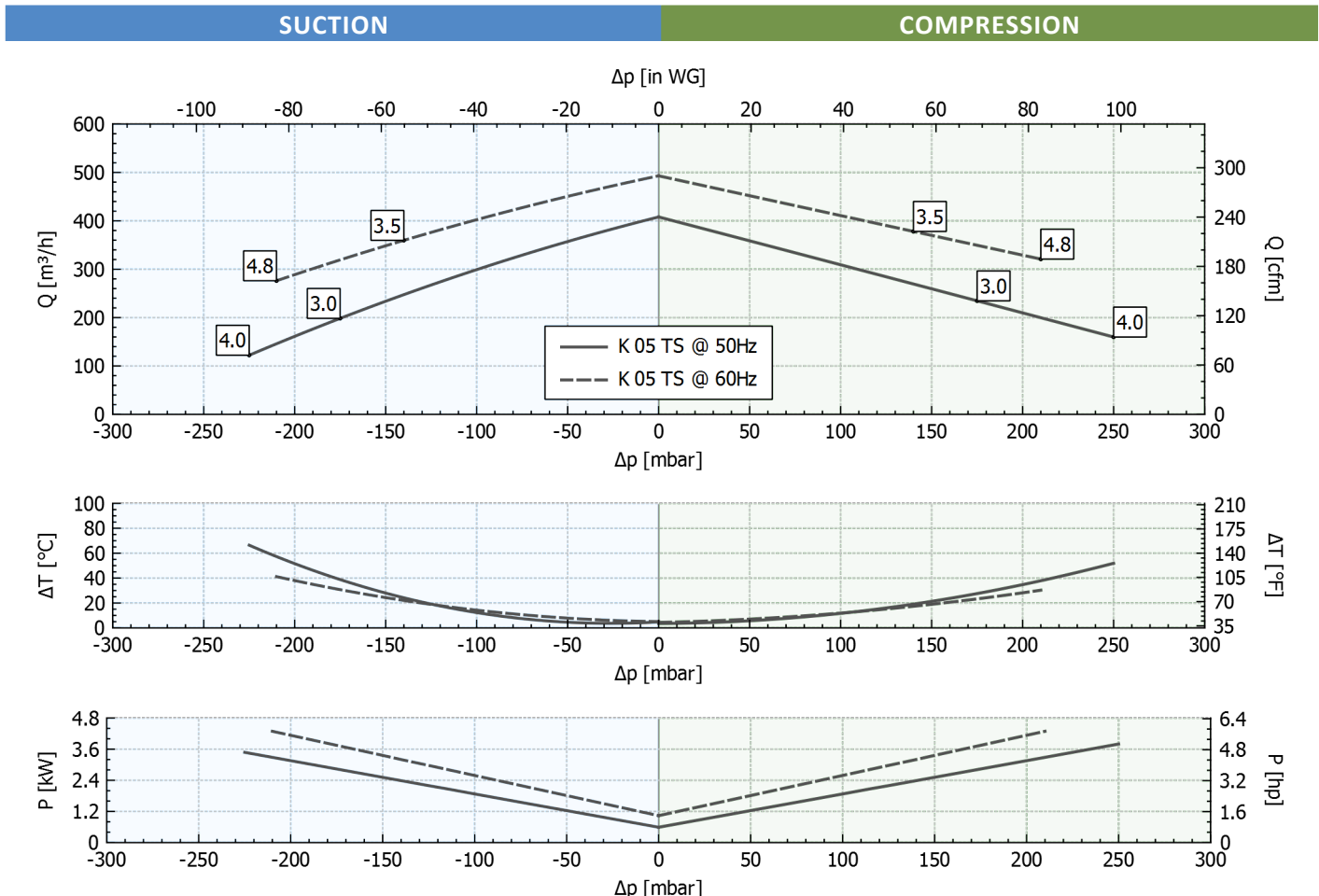
~3	[V] (Y / Δ)	[Hz]
IE3	400 / 230	50
	460 / 265	60
Wide Range	345 - 415 / 200 - 240	50
	380 - 480 / 220 - 280	60

Supply voltage - [Tolerance on the fixed voltage value ± 10%, in range ± 5%.]

**Performance Table**

P <sub>n</sub> [kW]	Frequency [Hz]	Δp <sub>max</sub> [mbar]		Q <sub>max</sub> [m³/h]	Leq <sup>1</sup> [dB(A)]	Weight [kg]	H <sup>2</sup> [mm]	Current Consumption (Y/Δ) [A]		Cosφ [-]	Speed [rpm]
		Suction	Compression					IE3	Range		
3	50	175	175	408	69.6	48	475	6.25 / 10.8	6.66-6.43 / 11.5-11.1	0.80	2930
3.5	60	140	140	493	71.6	48	475	6.20 / 10.7	7.05-6.19 / 12.2-10.7	0.82	3525
4	50	225	250	408	69.6	49.5	495	7.93 / 13.7	8.55-8.06 / 14.8-14.0	0.82	2910
4.8	60	210	210	493	71.6	49.5	495	7.94 / 13.8	9.31-7.93 / 16.1-13.7	0.85	3500

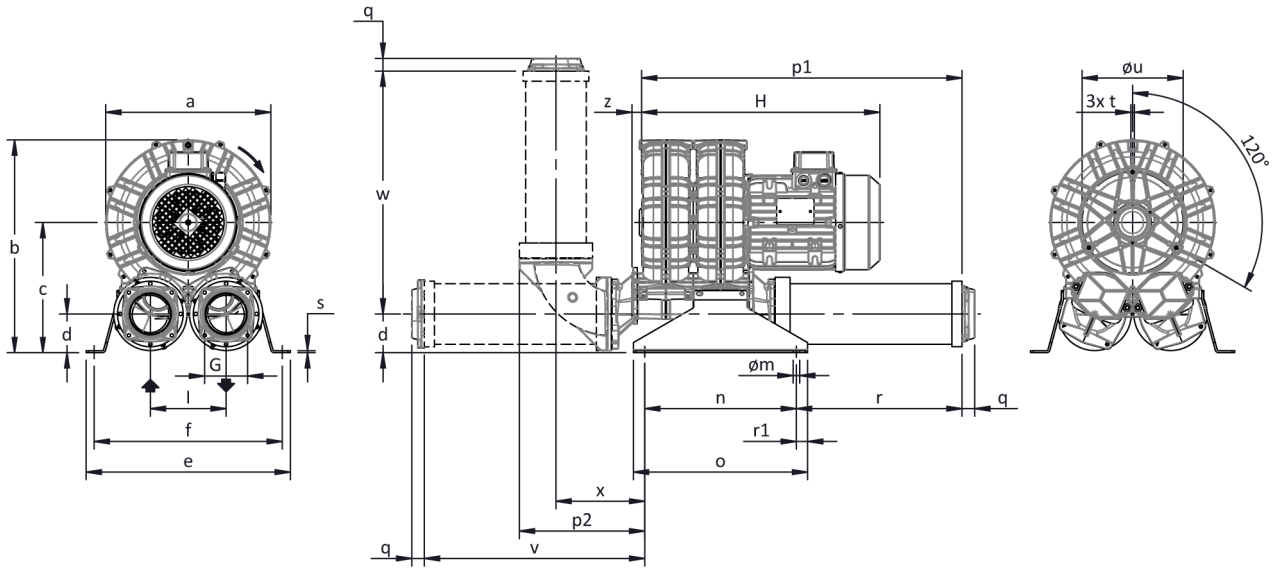
1. Noise level measured at a distance of 1 m with ducted intake and delivery, in accordance with Standard ISO 3744.  
2. See figure "dimensions" at following page.



Tolerance on indicated values ± 10%.  
Data subject to change without notice.  
Curves referring to air at a temperature of 20 °C and atmospheric pressure of 1013 mbar (abs).



## Dimensions



Configuration with a vertical silencer is only available with the CK accessory kit; for all assembly options refer to FPZ.

Dimensions in mm  
NOT Binding

a	b	c	d	d1	e	f	G	l	l1	l2	m	n	o	p1	p2	q	r	r1	s	t	u	v	w	x	y	z
327	422	258	77	-	404	374	G 3"	150	-	-	13	300	345	634	249	25	328	22.5	4	M8	200	436	481	176	-	19

## INSTALLATION

- For proper operation of the machine, it must be provided with a suction FILTER and a vacuum/pressure limiting VALVE.
- Other accessories are available on request.
- Permissible ambient and fluid temperature in suction from -15 °C to +40 °C.
- Read the instruction manual carefully before installing the machine.