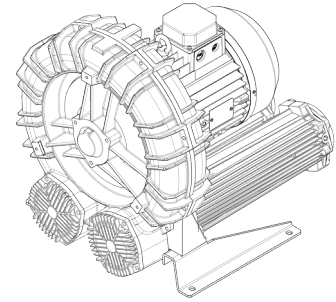


| Technical Characteristics  |  |
|--|--|
| <ul style="list-style-type: none"> <li>- Aluminum alloy construction</li> <li>- Smooth operation</li> <li>- Maintenance free</li> </ul>  |  |
| Electric Motor   |  |
| <ul style="list-style-type: none"> <li>- IE3 Wide Range cURus Motors</li> <li>- IP 55 protection rating, class F insulation, suitable for operating with inverter (refer to FPZ)</li> <li>- Thermal Protector (PTO) as standard</li> </ul> |  |
| Options  |  |
| <ul style="list-style-type: none"> <li>- Special voltages (IEC 60038)</li> <li>- Surface treatments</li> <li>- Increased seal version</li> </ul>   |  |

| ~3         | [V] (Y / Δ)           |                       | [Hz] |
|------------|-----------------------|-----------------------|------|
|            | ≤ 4 kW                | > 4 kW                |      |
| IE3        | 400 / 230             | 690 / 400             | 50   |
|            | 460 / 265             | 795 / 460             | 60   |
| Wide Range | 345 - 415 / 200 - 240 | 600 - 720 / 345 - 415 | 50   |
|            | 380 - 480 / 220 - 280 | 660 - 830 / 380 - 480 | 60   |

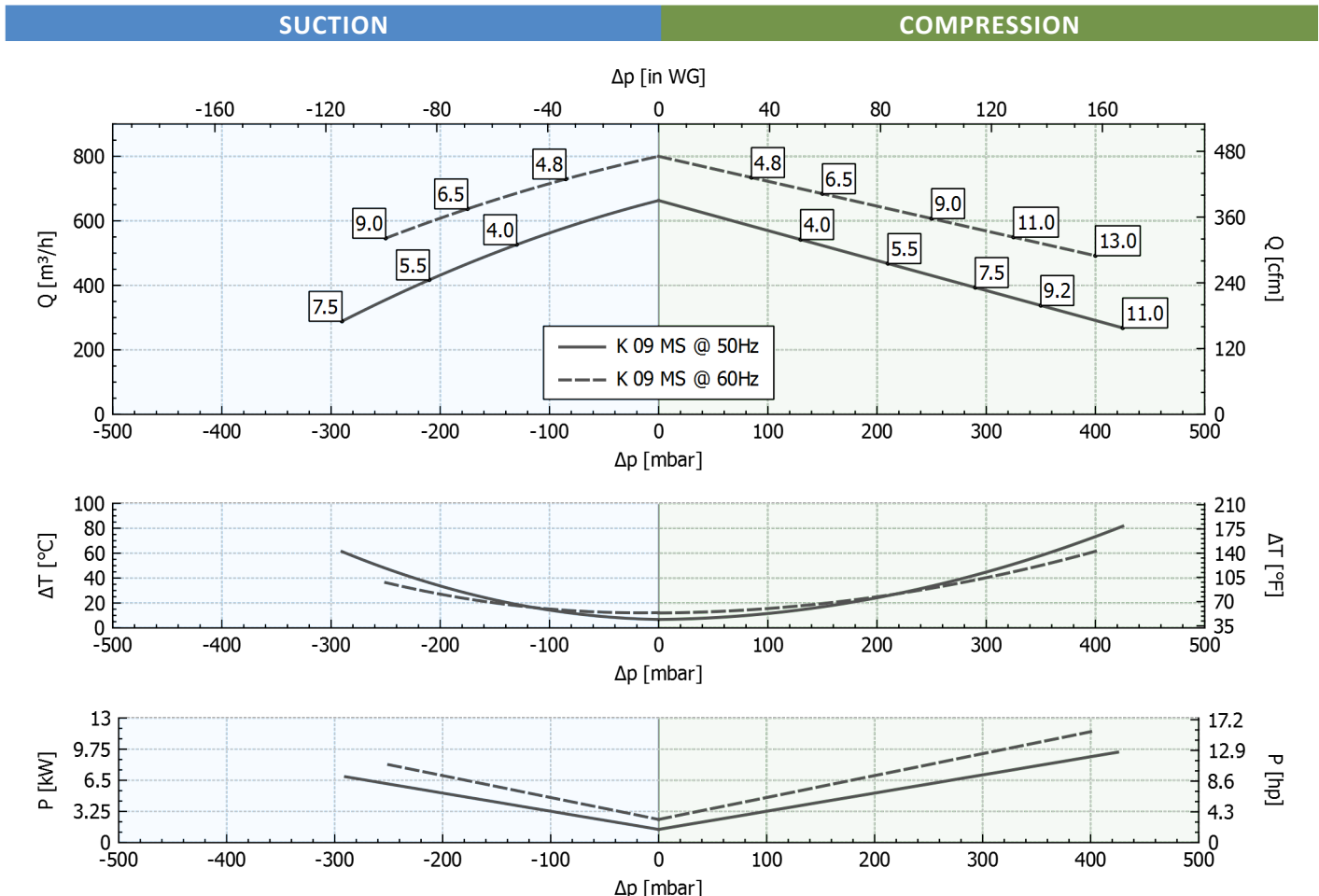
Supply voltage - [Tolerance on the fixed voltage value ± 10%, in range ± 5%.]



## Performance Table

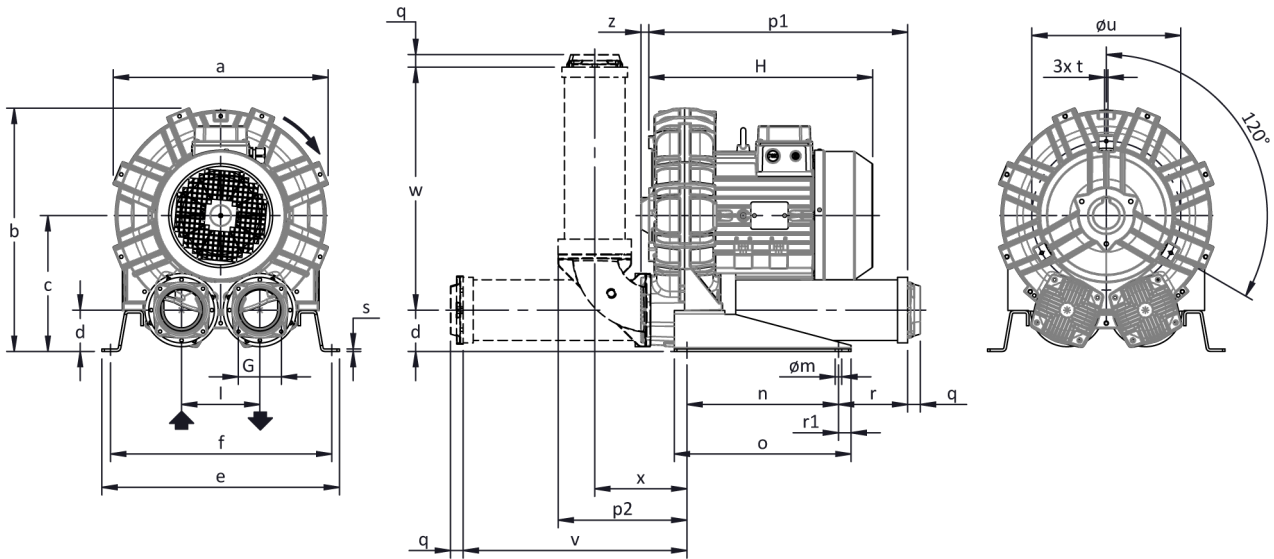
| P <sub>n</sub> [kW] | Frequency [Hz] | Δp <sub>max</sub> [mbar] |             | Q <sub>max</sub> [m³/h] | Leq <sup>1</sup> [dB(A)] | Weight [kg] | H <sup>2</sup> [mm] | Current Consumption (Y/Δ) [A] |                       | Cosφ [-] | Speed [rpm] |
|---------------------|----------------|--------------------------|-------------|-------------------------|--------------------------|-------------|---------------------|-------------------------------|-----------------------|----------|-------------|
|                     |                | Suction                  | Compression |                         |                          |             |                     | IE3                           | Range                 |          |             |
| 4                   | 50             | 130                      | 130         | 663                     | 77.1                     | 65.5        | 425                 | 7.93 / 13.7                   | 8.55-8.06 / 14.8-14.0 | 0.82     | 2910        |
| 4.8                 | 60             | 85                       | 85          | 800                     | 79.1                     | 65.5        | 425                 | 7.94 / 13.8                   | 9.31-7.93 / 16.1-13.7 | 0.85     | 3500        |
| 5.5                 | 50             | 210                      | 210         | 663                     | 77.1                     | 79          | 455                 | 6.41 / 11.1                   | 6.70-6.64 / 11.6-11.5 | 0.80     | 2940        |
| 6.5                 | 60             | 175                      | 150         | 800                     | 79.1                     | 79          | 455                 | 6.35 / 11.0                   | 7.10-6.41 / 12.3-11.1 | 0.83     | 3530        |
| 7.5                 | 50             | 290                      | 290         | 663                     | 77.1                     | 84          | 455                 | 8.95 / 15.5                   | 9.06-9.30 / 15.7-16.1 | 0.78     | 2940        |
| 9                   | 60             | 250                      | 250         | 800                     | 79.1                     | 84          | 455                 | 8.78 / 15.2                   | 9.71-8.97 / 16.8-15.5 | 0.82     | 3535        |
| 9.2                 | 50             | -                        | 350         | 663                     | 77.1                     | 89          | 495                 | 10.3 / 17.8                   | 10.9-10.5 / 18.9-18.1 | 0.83     | 2935        |
| 11                  | 60             | -                        | 325         | 800                     | 79.1                     | 95.5        | 495                 | 10.2 / 17.7                   | 11.7-10.3 / 20.3-17.8 | 0.86     | 3530        |
| 11                  | 50             | -                        | 425         | 663                     | 77.1                     | 95.5        | 495                 | 12.5 / 21.6                   | 13.0-12.8 / 22.6-22.2 | 0.81     | 2940        |
| 13                  | 60             | -                        | 400         | 800                     | 79.1                     | 95.5        | 495                 | 12.3 / 21.2                   | 13.8-12.4 / 23.9-21.5 | 0.84     | 3535        |

1. Noise level measured at a distance of 1 m with ducted intake and delivery, in accordance with Standard ISO 3744.
2. See figure "dimensions" at following page.



Tolerance on indicated values ± 10%.  
Data subject to change without notice.  
Curves referring to air at a temperature of 20 °C and atmospheric pressure of 1013 mbar (abs).

## Dimensions



Configuration with a vertical silencer is only available with the CK accessory kit; for all assembly options refer to FPZ.

Dimensions in mm  
NOT Binding

| a   | b   | c   | d  | d1 | e   | f   | G    | l   | l1 | l2 | m  | n   | o   | p1  | p2  | q  | r   | r1 | s | t  | u   | v   | w   | x   | y | z  |
|-----|-----|-----|----|----|-----|-----|------|-----|----|----|----|-----|-----|-----|-----|----|-----|----|---|----|-----|-----|-----|-----|---|----|
| 492 | 561 | 315 | 96 | -  | 510 | 478 | G 4" | 182 | -  | -  | 13 | 300 | 350 | 586 | 300 | 25 | 199 | 25 | 5 | M8 | 360 | 505 | 556 | 215 | - | 16 |

## INSTALLATION

- For proper operation of the machine, it must be provided with a suction FILTER and a vacuum/pressure limiting VALVE.
- Other accessories are available on request.
- Permissible ambient and fluid temperature in suction from -15 °C to +40 °C.
- Read the instruction manual carefully before installing the machine.