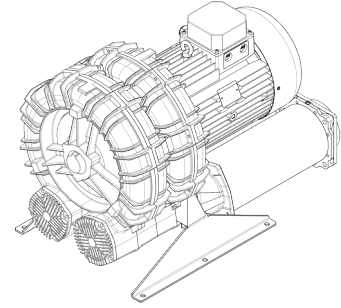


Technical Characteristics	
<ul style="list-style-type: none"> <li>- Aluminum alloy construction</li> <li>- Smooth operation</li> <li>- Maintenance free</li> </ul>	
Electric Motor	
<ul style="list-style-type: none"> <li>- IE3 Wide Range cURus Motors</li> <li>- IP 55 protection rating, class F insulation, suitable for operating with inverter (refer to FPZ)</li> <li>- Thermal Protector (PTO) as standard</li> </ul>	
Options	
<ul style="list-style-type: none"> <li>- Special voltages (IEC 60038)</li> <li>- Surface treatments</li> <li>- Increased seal version</li> </ul>	

~3	[V] (Y/Δ)	[Hz]
IE3	690 / 400	50
	795 / 460	60
Wide Range	600 – 720 / 345 – 415	50
	660 – 830 / 380 – 480	60

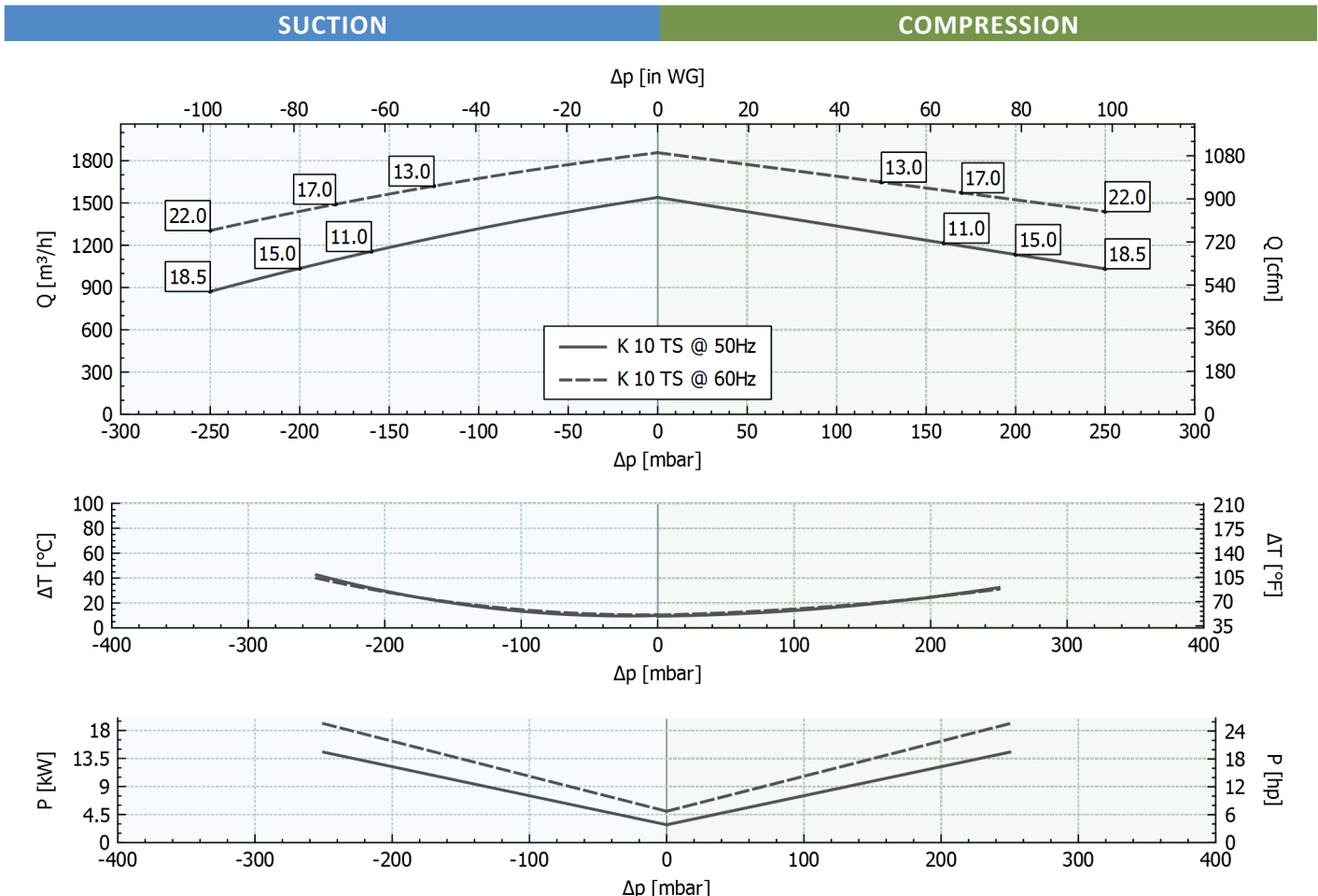
Supply voltage - [Tolerance on the fixed voltage value ± 10%, in range ± 5%.]



## Performance Table

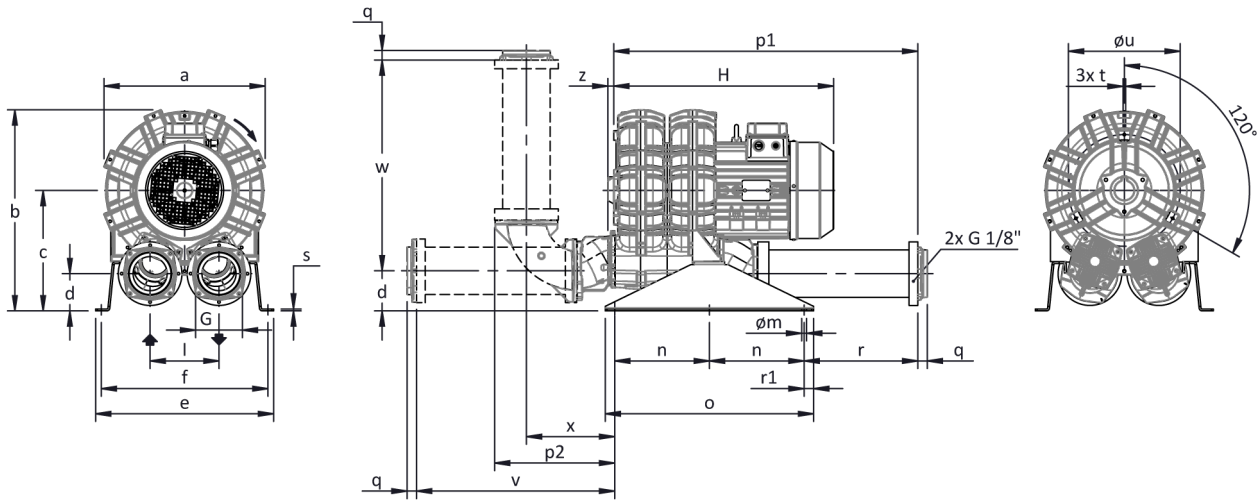
P <sub>n</sub> [kW]	Frequency [Hz]	Δp <sub>max</sub> [mbar]		Q <sub>max</sub> [m³/h]	Leq <sup>1</sup> [dB(A)]	Weight [kg]	H <sup>2</sup> [mm]	Current Consumption (Y/Δ) [A]		Cosφ [-]	Speed [rpm]
		Suction	Compression					IE3	Range		
11	50	160	160	1539	87.1	139.5	650	12.5 / 21.6	13.0-12.8 / 22.6-22.2	0.81	2940
13	60	125	125	1857	89.1	139.5	650	12.3 / 21.2	13.8-12.4 / 23.9-21.5	0.84	3535
15	50	200	200	1539	87.1	160	727	16.2 / 28.1	17.5-16.4 / 30.4-28.4	0.84	2935
17	60	180	170	1857	89.1	160	727	15.5 / 26.8	17.8-15.5 / 30.9-26.9	0.86	3535
18.5	50	250	250	1539	87.1	186.5	785	19.5 / 33.8	21.4-19.6 / 37.1-33.9	0.85	2950
22	60	250	250	1857	89.1	186.5	785	19.6 / 34.0	23.1-19.5 / 40.0-33.8	0.87	3550

1. Noise level measured at a distance of 1 m with ducted intake and delivery, in accordance with Standard ISO 3744.
2. See figure "dimensions" at following page.



Tolerance on indicated values ± 10%.  
Data subject to change without notice.  
Curves referring to air at a temperature of 20 °C and atmospheric pressure of 1013 mbar (abs).

## Dimensions



Configuration with a vertical silencer is only available with the CK accessory kit; for all assembly options refer to FPZ.

Dimensions in mm  
NOT Binding

a	b	c	d	d1	e	f	G	l	l1	l2	m	n	o	p1	p2	q	r	r1	s	t	u	v	w	x	y	z
516	623	365	112	-	510	478	G 5"	210	-	-	13	250	550	850	447	35	315	25	5	M8	360	558	608	337	-	16

## INSTALLATION

- For proper operation of the machine, it must be provided with a suction FILTER and a vacuum/pressure limiting VALVE.
- Other accessories are available on request.
- Permissible ambient and fluid temperature in suction from -15 °C to +40 °C.
- Read the instruction manual carefully before installing the machine.