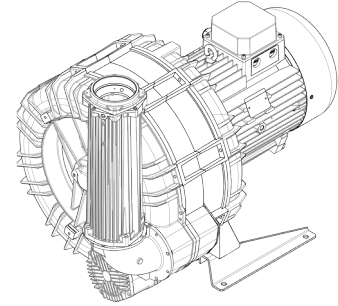




Technical Characteristics	
<ul style="list-style-type: none"> Aluminum alloy construction Smooth operation Maintenance free 	
Electric Motor	
<ul style="list-style-type: none"> IE3 Wide Range cURus Motors IP 55 protection rating, class F insulation, suitable for operating with inverter (refer to FPZ) Thermal Protector (PTO) as standard 	
Options	
<ul style="list-style-type: none"> Special voltages (IEC 60038) Surface treatments Increased seal version 	

~3	[V] (Y/Δ)	[Hz]
IE3	690 / 400	50
	795 / 460	60
Wide Range	600 – 720 / 345 – 415	50
	660 – 830 / 380 – 480	60

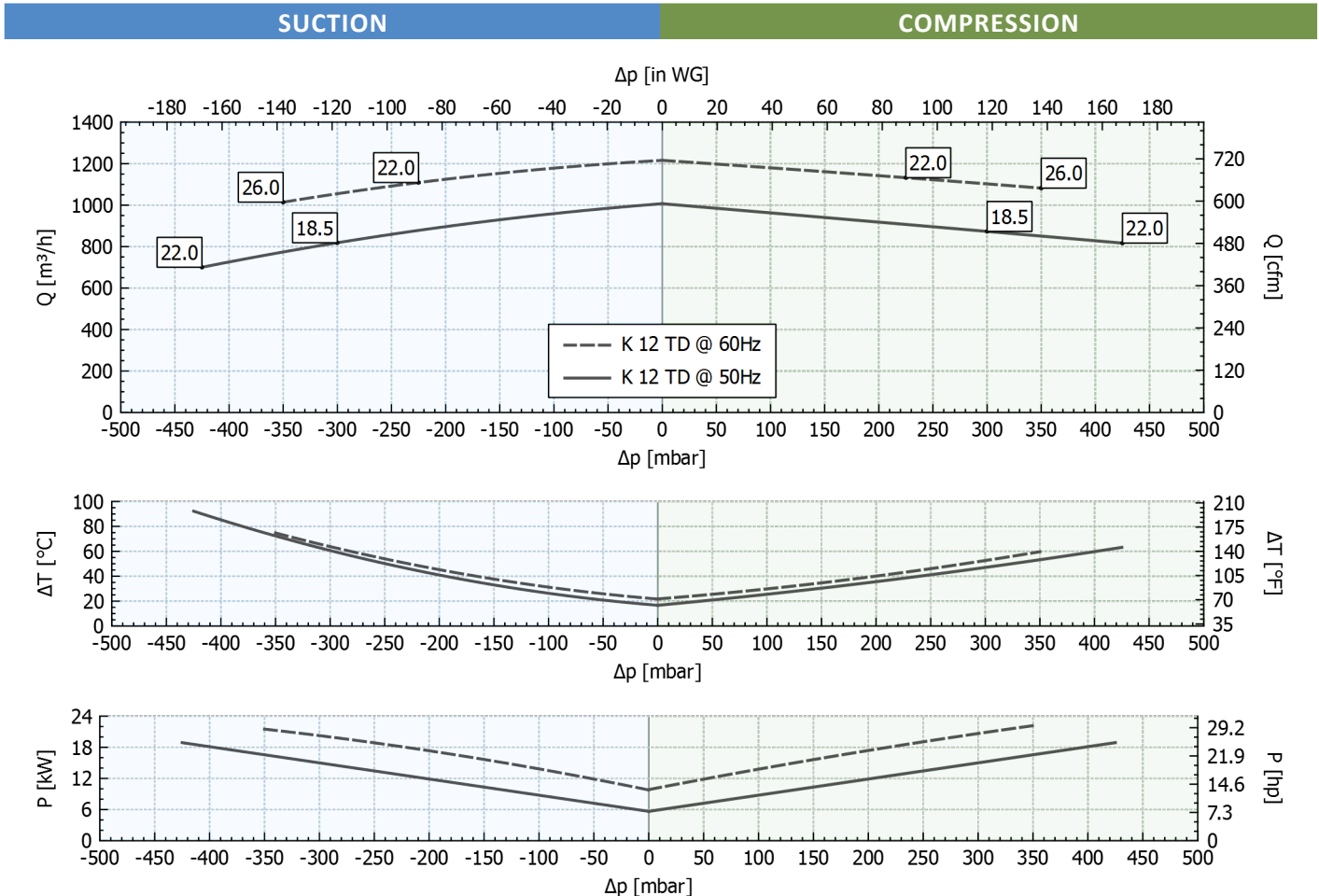
Supply voltage - [Tolerance on the fixed voltage value ± 10%, in range ± 5%.]



Performance Table

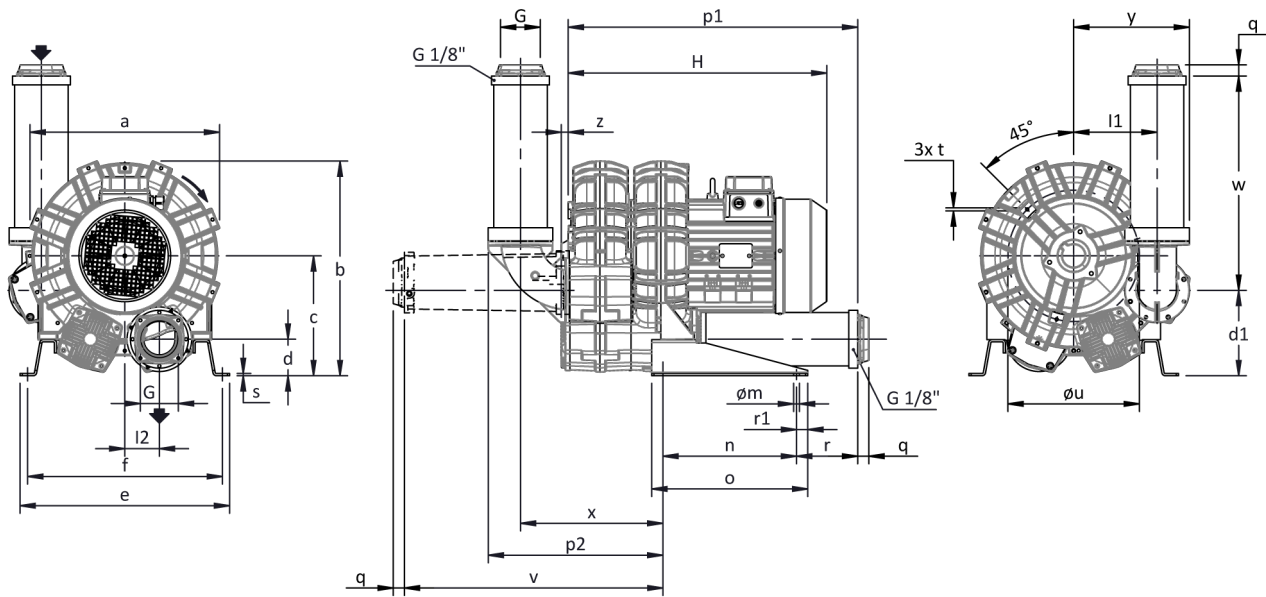
P _n [kW]	Frequency [Hz]	Δp _{max} [mbar]		Q _{max} [m³/h]	Leq ¹ [dB(A)]	Weight [kg]	H ² [mm]	Current Consumption (Y/Δ) [A]		Cosφ [-]	Speed [rpm]
		Suction	Compression					IE3	Range		
18.5	50	300	300	1007	85	201	815	19.5 / 33.8	21.4-19.6 / 37.1-33.9	0.85	2950
22	60	225	225	1216	87.5	201	815	19.6 / 34.0	23.1-19.5 / 40.0-33.8	0.87	3550
22	50	425	425	1007	85	203.5	815	23.1 / 40.0	25.2-23.2 / 43.7-40.2	0.85	2955
26	60	350	350	1216	87.5	203.5	815	23.0 / 39.9	26.9-22.8 / 46.6-39.5	0.87	3555

1. Noise level measured at a distance of 1 m with ducted intake and delivery, in accordance with Standard ISO 3744.
2. See figure "dimensions" at following page.



Tolerance on indicated values ± 10%.
Data subject to change without notice.
Curves referring to air at a temperature of 20 °C and atmospheric pressure of 1013 mbar (abs).

Dimensions



For all assembly options refer to FPZ.
Dimensions in mm
NOT Binding

a	b	c	d	d1	e	f	G	l	l1	l2	m	n	o	p1	p2	q	r	r1	s	t	u	v	w	x	y	z
548	606	332	91	232	540	508	G 4"	-	242	100	13	300	350	768	483	25	204	25	5	M8	390	678	556	400	324	13

INSTALLATION

- For proper operation of the machine, it must be provided with a suction FILTER and a vacuum/pressure limiting VALVE.
- Other accessories are available on request.
- Permissible ambient and fluid temperature in suction from -15 °C to +40 °C.
- Read the instruction manual carefully before installing the machine.