



Technical Characteristics

- Aluminum alloy construction
- Smooth operation
- Maintenance free

Electric Motor

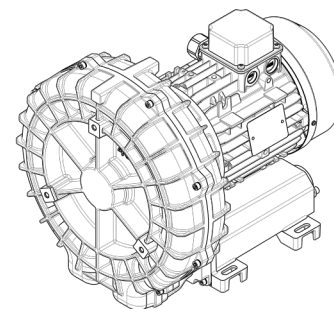
- IE3 Wide Range cURus Motors
- IP55 protection rating, class F insulation, suitable for operating with inverter
- Thermal Protector (PTO) as standard

Options

- Special voltages (IEC 60038)
- Surface treatments
- Increased seal version

~3	[V] (Y / Δ)	[Hz]
IE3	400 / 230	50
	460 / 265	60
Wide Range	345 - 415 / 200 - 240	50
	380 - 480 / 220 - 280	60

Supply voltage - Tolerance on the fixed voltage value $\pm 10\%$, in range $\pm 5\%$.

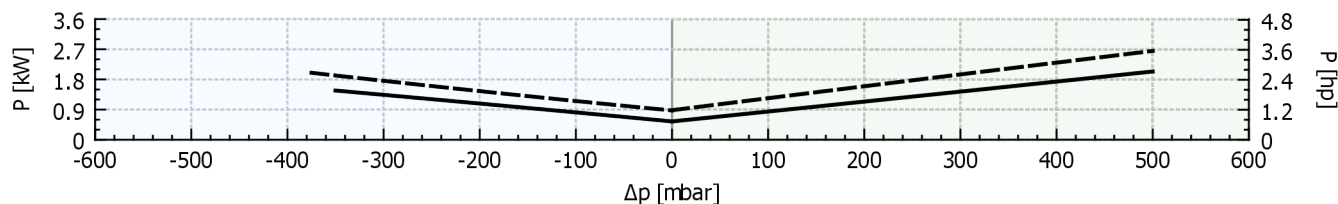
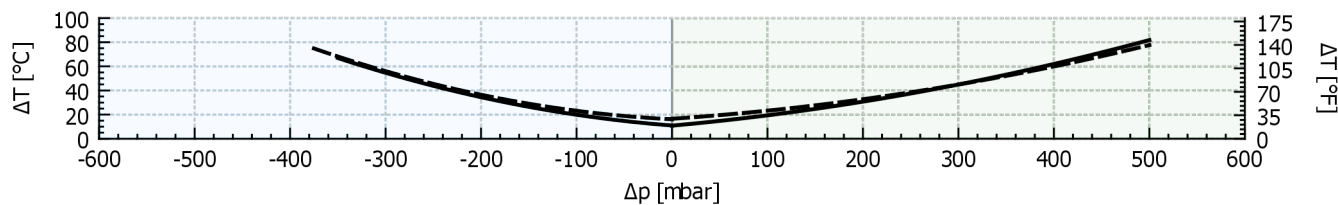
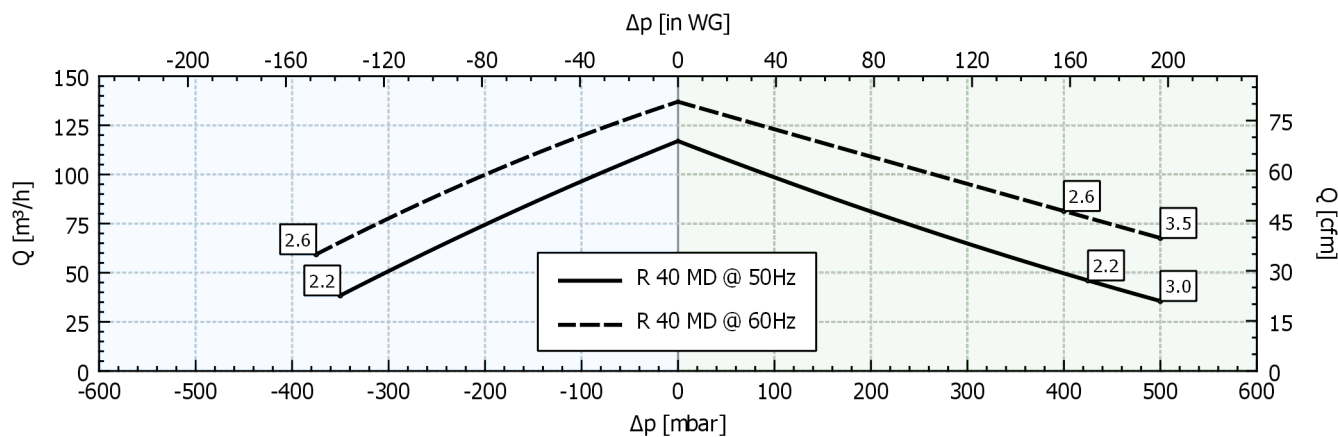


Performance Table

P _n [kW]	Frequency [Hz]	Δp _{max} [mbar]		Q _{max} [m³/h]	Leq ¹ [dB(A)]	Weight [kg]	H ² [mm]	Current Consumption (Y/Δ) [A]		Cosφ [-]	Speed [rpm]
		Suction	Compression					IE3	Range		
2.2	50	350	425	117	71	35	415	4.49 / 7.78	4.90-4.55 / 8.49-7.88	0.82	2900
2.6	60	375	400	137	73	35	415	4.46 / 7.72	5.23-4.47 / 9.06-7.74	0.84	3495
3	50	-	500	117	71	41	435	6.25 / 10.8	6.66-6.43 / 11.5-11.1	0.80	2930
3.5	60	-	500	137	73	41	435	6.20 / 10.7	7.05-6.19 / 12.2-10.7	0.82	3525

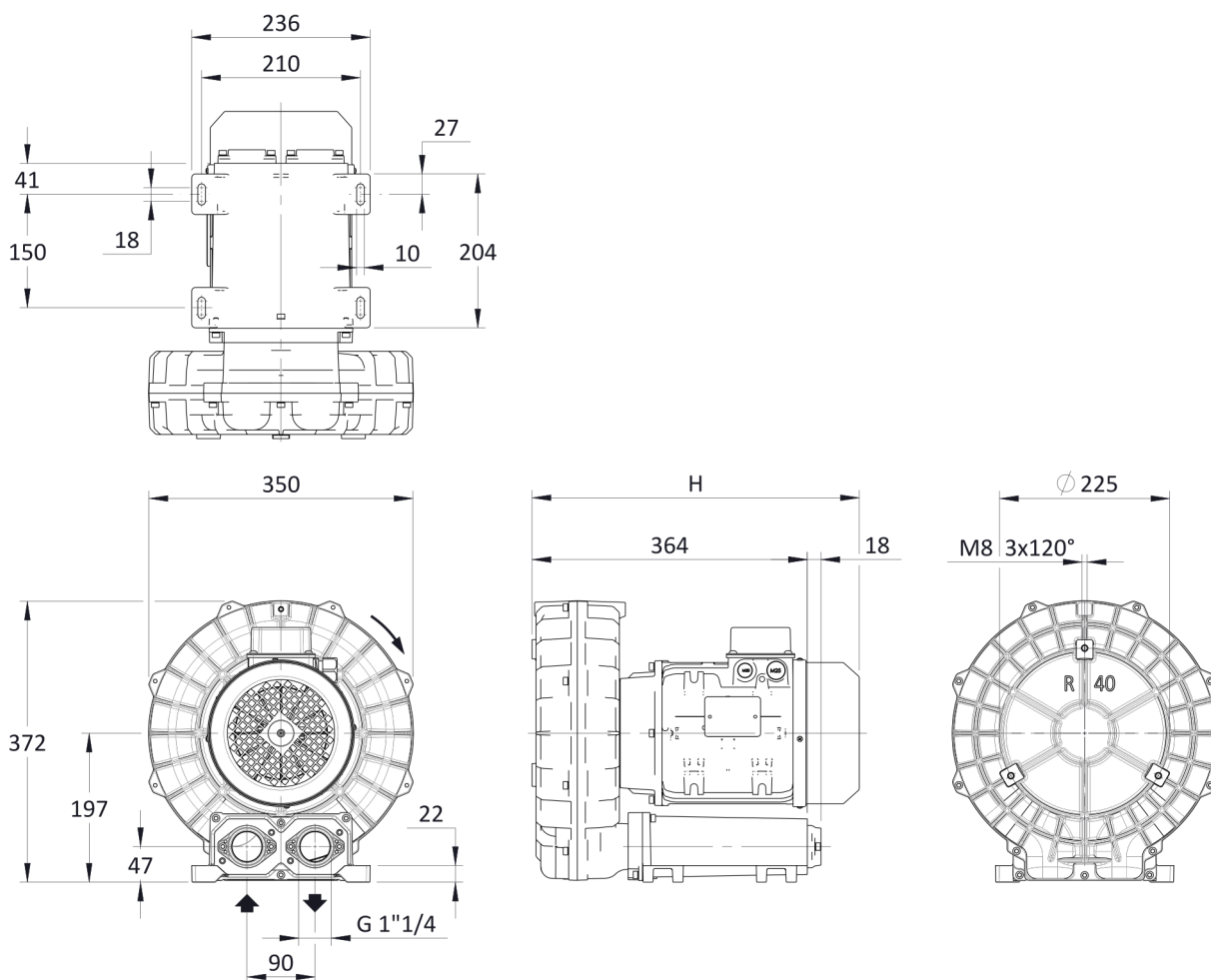
1. Noise level measured at a distance of 1 m with ducted intake and delivery, in accordance with Standard ISO 3744.
2. See figure "dimensions" at following page.

SUCTION **COMPRESSION**



Tolerance on indicated values $\pm 10\%$.
Data subject to change without notice.
Curves referring to air at a temperature of 20 °C and atmospheric pressure of 1013 mbar (abs).

Dimensions



Dimensions in mm
NOT Binding

INSTALLATION

- For proper operation of the machine, it must be provided with a suction FILTER and a vacuum/pressure limiting VALVE.
- Other accessories are available on request.
- Permissible ambient and fluid temperature in suction from -15 °C to +40 °C.
- Read the instruction manual carefully before installing the machine.